

4

3

2

1

SPECIFICATIONS:  
 POWER RATING: 600 WATTS AVG. AT 25°C. (UNI-DIRECTIONAL)  
 DERATED LINEARLY TO 50 WATTS AT 125°C  
 IMPEDANCE: 50 OHMS NOMINAL  
 FREQUENCY RANGE: DC TO 2.4GHz  
 VSWR: DC TO 1GHz AT 1.10:1 MAX.  
 1GHz TO 2.4 GHz AT 1.25:1 MAX.  
 AMBIENT TEMPERATURE: -40°C TO +40°C  
 COOLING FIN: ALUMINUM, BLACK ANODIZED  
 HEAT SPREADER: ALUMINUM, BLACK ANODIZED  
 CONNECTORS: N-TYPE FEMALE  
 OPERATING POSITION: AS SHOWN (VERTICALLY)  
 NOMINAL SIZE: APPROX. 12.55" L X 9.38" H X 9.57" W  
 WEIGHT: APPROX. 21.5 LBS

|           |     |                       |              |            |     |
|-----------|-----|-----------------------|--------------|------------|-----|
| REVISIONS |     | DWG. NO.              | 600-A-FFN-XX | SHEET      | REV |
| ZONE      | REV | DESCRIPTION           | DATE         | APPROVED   |     |
|           | A   | CONVERT TO BEC FORMAT | DMR 1-8-03   | <i>MAK</i> |     |

D

D

C

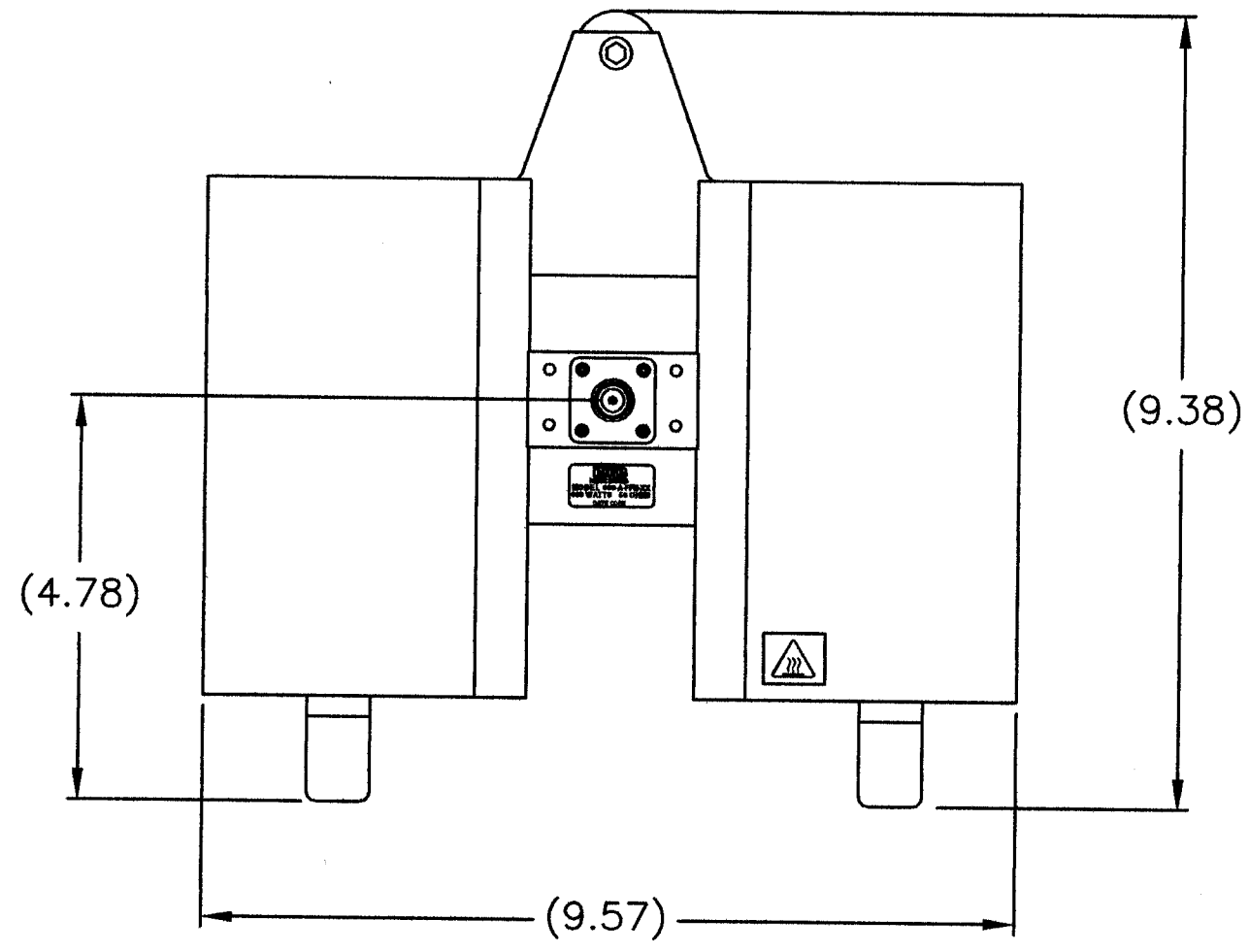
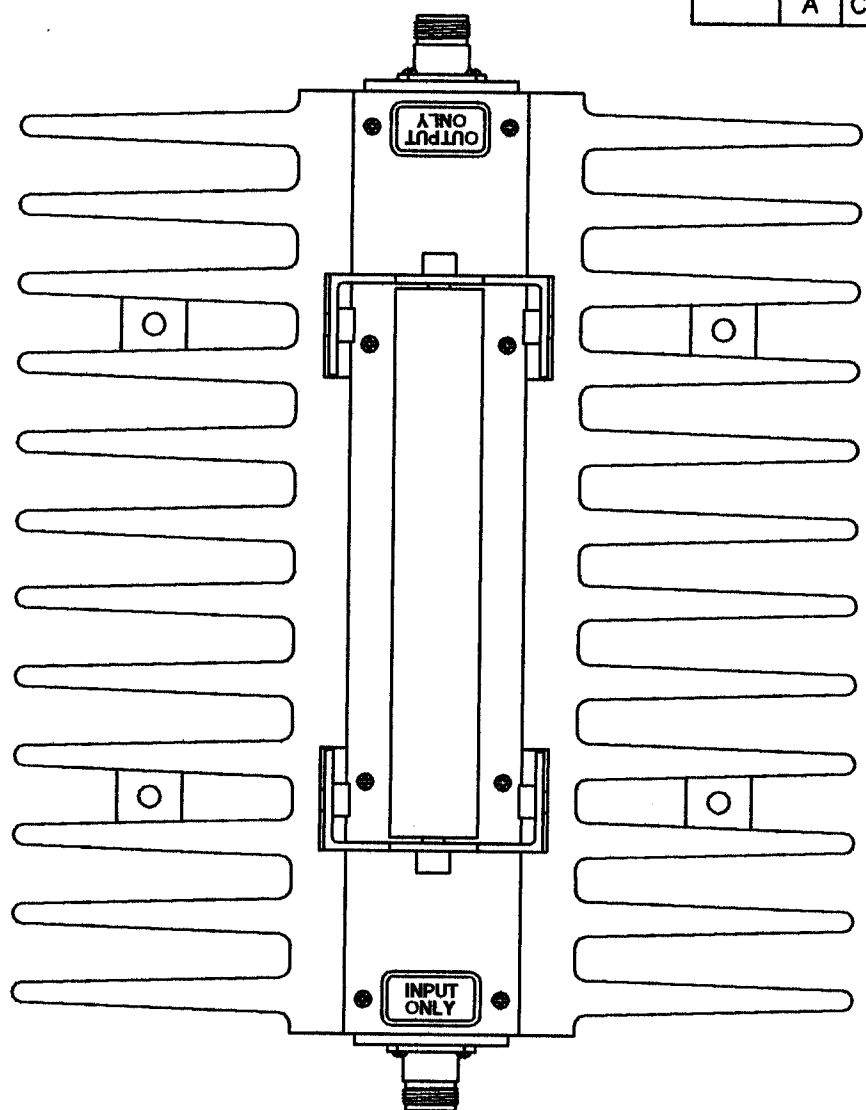
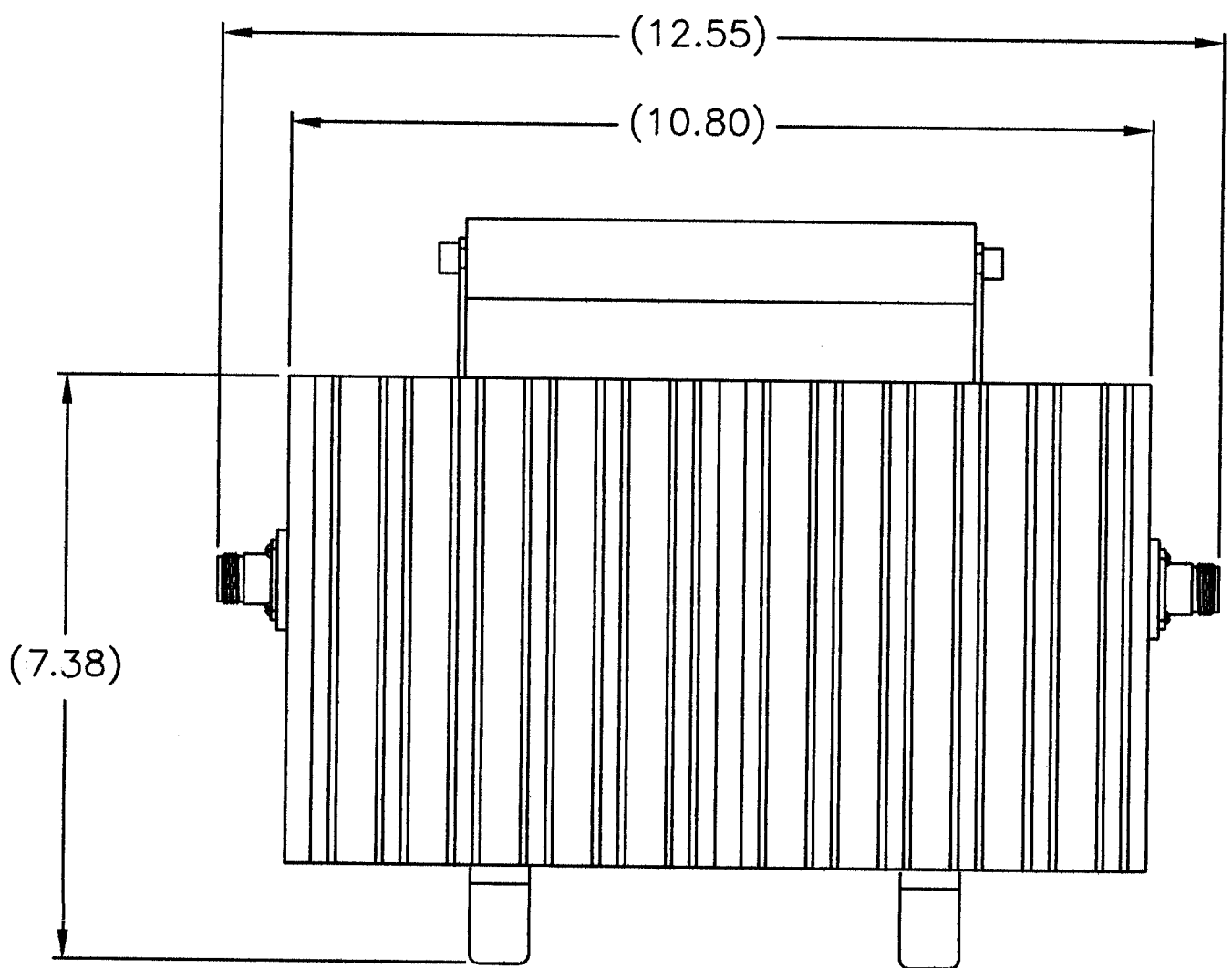
C

B

B

A

A



XX = DASH NUMBER (dB VALUE)

|          |          |                         |            |
|----------|----------|-------------------------|------------|
| -30      | 30       | ±0.8 dB                 | ±1.3 dB    |
| -20      | 20       | ±0.5 dB                 | ±1.0 dB    |
| -10      | 10       | ±0.4 dB                 | ±0.8 dB    |
| -06      | 6        | ±0.4 dB                 | ±0.6 dB    |
| -03      | 3        | ±0.3 dB                 | ±0.5 dB    |
| DASH NO. | dB ATTN. | DC - 1GHz               | 1 - 2.5GHz |
|          |          | ATTENUATOR ACCURACY ±dB |            |

DIMENSIONS HEREON ARE FOR CUSTOMER CONVENIENCE AND REFERENCE ONLY. TOLERANCE TO BE APPLIED ONLY WHERE INDIVIDUALLY STATED ON THE RESPECTIVE DIMENSION. -DO NOT SCALE DRAWING-

|   |  |                                     |  |  |  |   |  |
|---|--|-------------------------------------|--|--|--|---|--|
| UNLESS OTHERWISE SPECIFIED DIMENSIONS ARE IN INCHES TOLERANCES ARE: |  | MILLIMETERS<br>X = ±.4<br>XX = ±.12 |  | THIS DRAWING IS THE PROPERTY OF THE BIRD ELECTRONIC CORPORATION. THE DESIGNS AND SPECIFICATIONS DISCLOSED HEREON ARE PROPRIETARY AND SHALL NOT BE REPRODUCED, NOR COPIED, NOR USED AS THE BASIS FOR THE MANUFACTURE OR SALE OF APPARATUS OR DEVICES WITHOUT THEIR EXPRESS WRITTEN CONSENT. |  |   |  |
| DO NOT SCALE DRAWING  |  | APPROVALS                           |  | DATE   |  | TITLE   |  |
| MATERIAL  |  | DRAWN D.M.RINK                      |  | 1-8-03   |  | ATTENUATOR, CONVECTION COOLED VERTICAL, N-TYPE FEMALE, 600W |  |
| FINISH  |  | CHECKED                             |  | APPROVED <i>MAK</i>  |  | DATE 1-22-03  |  |
|   |  | SIZE C                              |  | PSCM NO. 70998   |  | DWG. NO. 600-A-FFN-XX                                       |  |
|   |  | SCALE 1:1                           |  | COMM CODE AT1  |  | SHEET 1 OF 1  |  |

4

3

2

1